

CSI Mk III Spray Nozzle

(Data Sheet)



The CSI Mk III nozzle is specifically designed for tablet coating. It should only be used as intended and recommended by CSI.

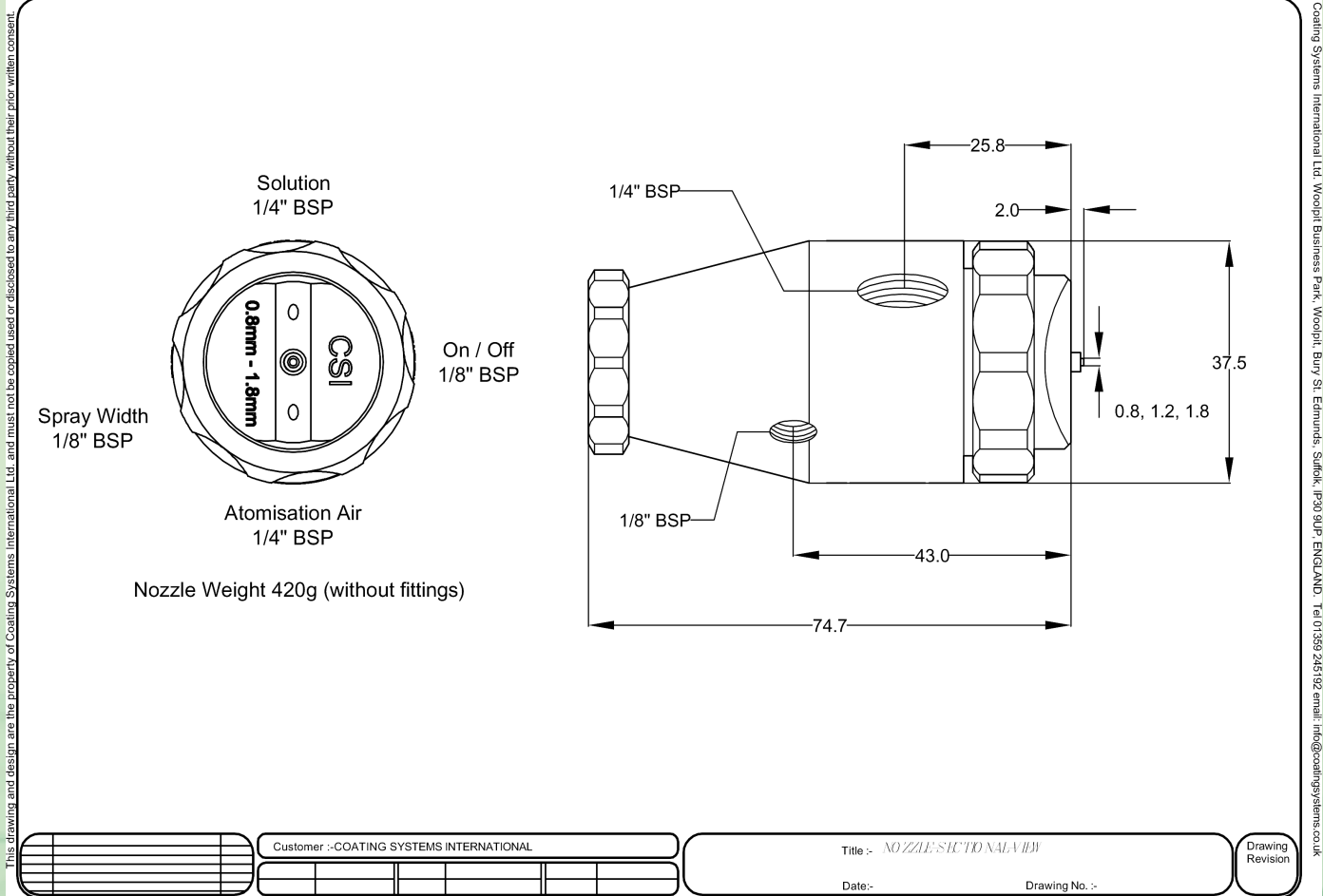


The nozzle is intended for mounting from the atomisation air connection at the bottom, for multiple nozzle use a manifold is recommended.

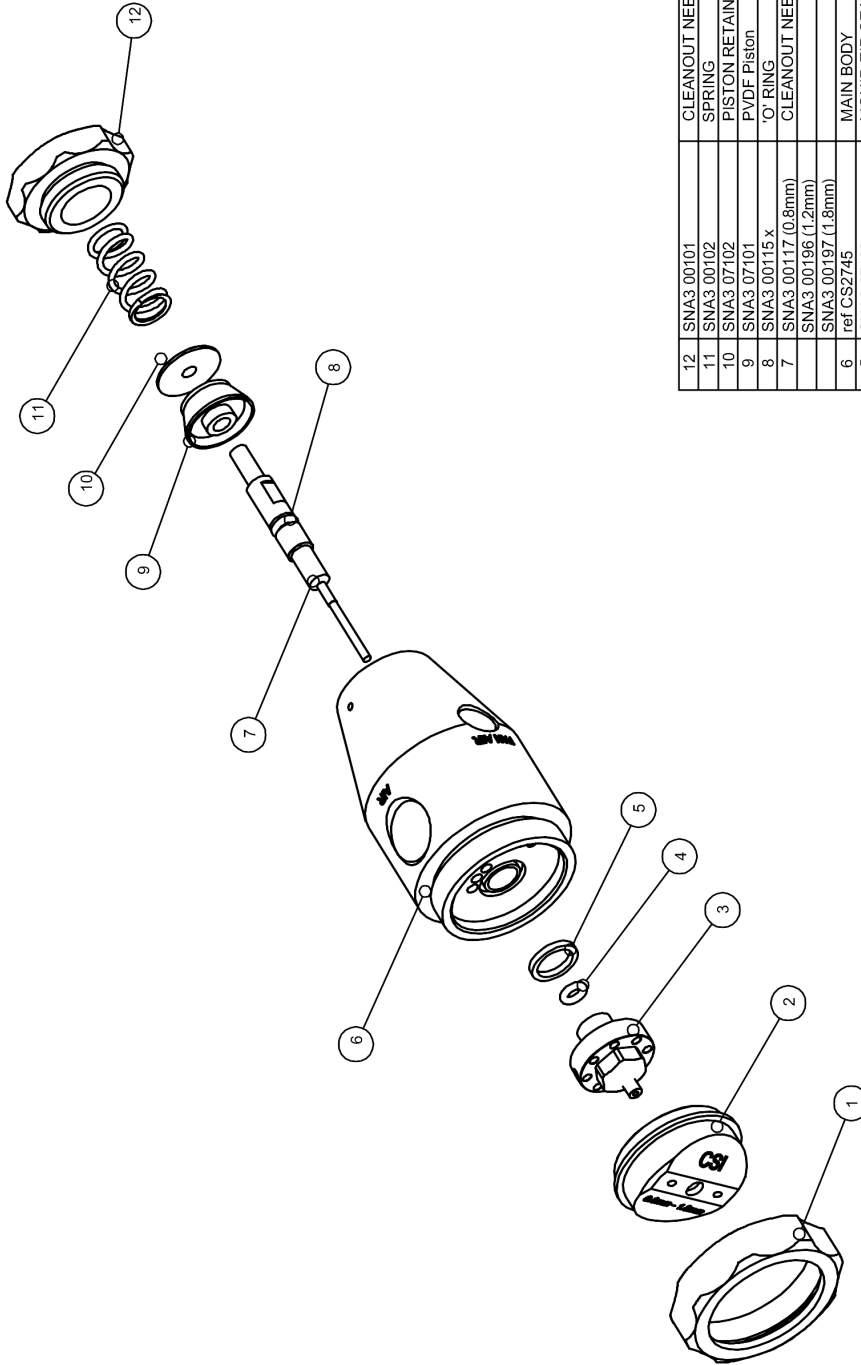


Additional specifications for operation can be found on the CSI Mk III Nozzle leaflet. Available from the CSI website.

www.coatingsystems.co.uk



Specifications may change without notice



ITEM	PART No.	DESCRIPTION
12	SNA3 00101	CLEANOUT NEEDLE RETAINING NUT
11	SNA3 00102	SPRING
10	SNA3 07102	PISTON RETAINING NUT
9	SNA3 07101	PVDF PISTON
8	SNA3 00115 x	'O' RING
7	SNA3 00117 (0.8mm)	CLEANOUT NEEDLE
	SNA3 00196 (1.2mm)	
	SNA3 00197 (1.8mm)	
6	ref CS2745	MAIN BODY
5	SNA3 07100	LIQUID TIP SEALING WASHER
4	SNA3 00115 x	'O' RING
3	SNA3 00201 (0.8mm)	LIQUID TIP
	SNA3 00194 (1.2mm)	
	SNA3 00202 (1.8mm)	
2	SNA3 00203	AIR CAP
1	SNA3 00109	AIR CAP RETAINER

Customer: COATING SYSTEMS INTERNATIONAL

Date: _____

Title: NOZZLE ASSEMBLY

Drawing No.: _____

Drawing Revision

--	--	--	--	--	--	--	--

This drawing and design are the property of Coating Systems International Ltd. and must not be copied used or disclosed to any third party without their prior written consent.